

Reflex CASTORS AND WHEELS

Electrodrive Gzunda / powered material handling

REFLEX
equip

Gzunda

The Gzunda is a battery powered mobile towing unit to assist in the movement of heavy beds and trolleys eliminating back or shoulder strain. It is designed to save operator effort when pushing or pulling beds and trolleys. The Gzunda body is made from 304 stainless steel which is ideal for infection control.

The GZUNDA includes the latest developments in D.C. geared motors with automatic electromagnetic park braking, as well as a high capacity programmable controller. Features include:

- Quiet smooth operation
 - Ease of handling
 - No licence required
 - High manoeuvrability
 - Low maintenance
 - Easy interaction with Bed / Trolley
 - Ability to handle heavy loads
 - Stainless steel construction for infection control
- All GZUNDAS are Australian made to provide the highest quality and suitability for your application. Full product training and service contracts are available.

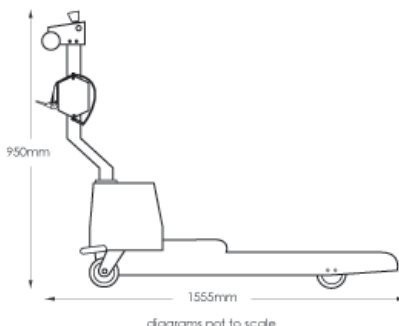
Ask about our leasing options.



Product codes

Electrodrive Gzunda - 300kg capacity	GZ
Electrodrive Gzunda Heavy Duty - 500kg capacity	GZ-H

Dimensions: (300kg GZ)
 Capacity: 300 kg
 Height: 950 mm
 Length: 1555 mm
 Width: 640 mm
 Weight: 130 kg
 Voltage: 24V
 Range: approx. 12 km (depending on workload: slope, patient weight, etc)



new
product

www.reflexequip.com.au

REFLEX

MELBOURNE
 (03) 9763 9644
rowville@reflexequip.com.au

SYDNEY & ILLAWARRA
 (02) 9725 3266
smithfield@reflexequip.com.au

CENTRAL COAST & NEWCASTLE
 (02) 4324 3455
gosford@reflexequip.com.au